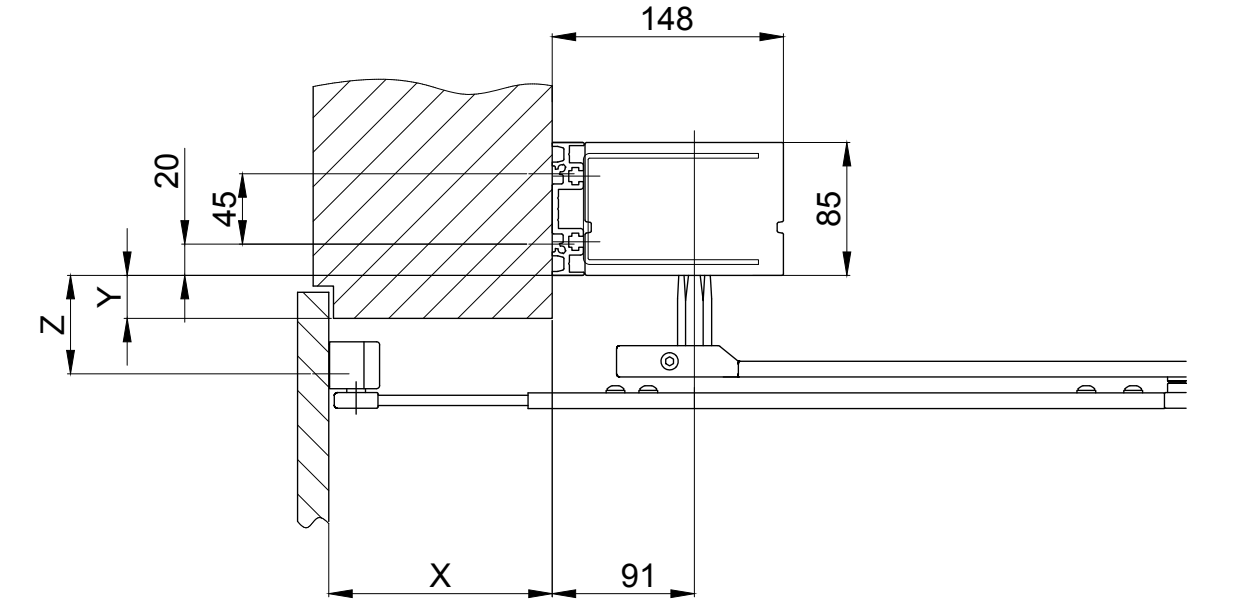


with Mounting profile



X	-100 ... +40	+40 ... +180
	L=291 ... 436	L=436 ... 581

Y	0 ... 10	0 ... 29	0 ... 70
Z	33	52	93
	63	82	123

a	310 ... 360
---	-------------

Situation shown on plan a = 360

Object:			
Customer:			
Order-Nr.:	Date:	Releasesignatur:	
	Scale	Drawn	21.09.18
	%	ok to print	REFL
Operatortyp : TORMAX 1201 I 1102 standard linkage 350mm/mounting on lintel		Execution: TORMAX 1201 I 1102 standard linkage 350mm/mounting on lintel	
		Document-Nr.:	Index
		T3-386-79	A