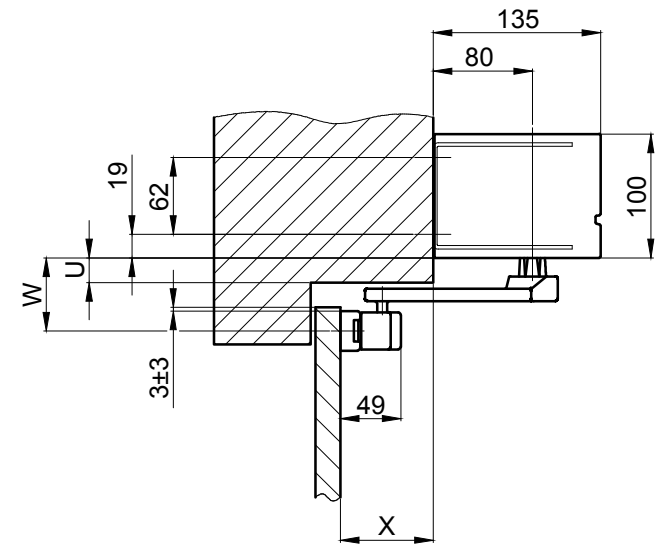


a	230-360	
b	c-90	$\sqrt{a^2+(x+80)^2-90}$
dmin.	c+570	$\sqrt{a^2+(x+80)^2+570}$

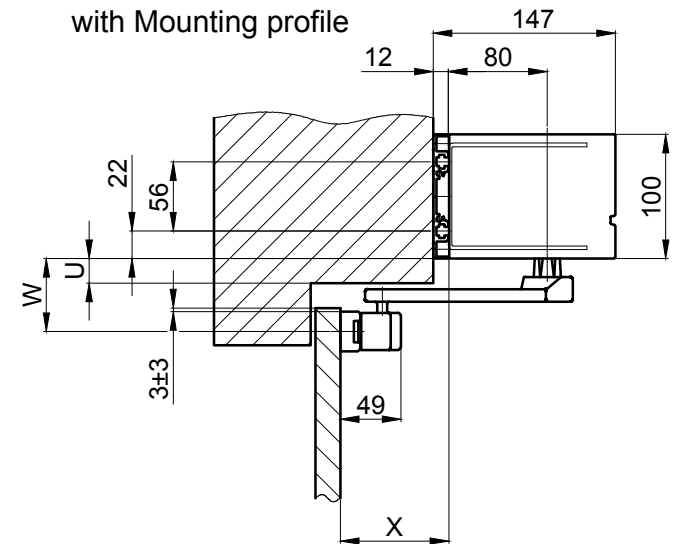
Situation shown on plan a = 360

X	0...+150	
---	----------	--

U	0-20	0-39	0-80
W	59±3	78±3	119±3
	63	82	123



with Mounting profile



Object:			
Customer:			
Order-Nr.:	Date:	Releasesignatur:	
	Scale %	Drawn ok to print	07.10.2021 MURO
Operatorotyp : iMotion 1301 sliding lever 500mm/mounting on lintel		Execution: Execution:	
		TORMAX a Division of LANDERT Group AG CH-8180 Bülach-Zürich	
Document-Nr.:			Index
T3-386-58			C