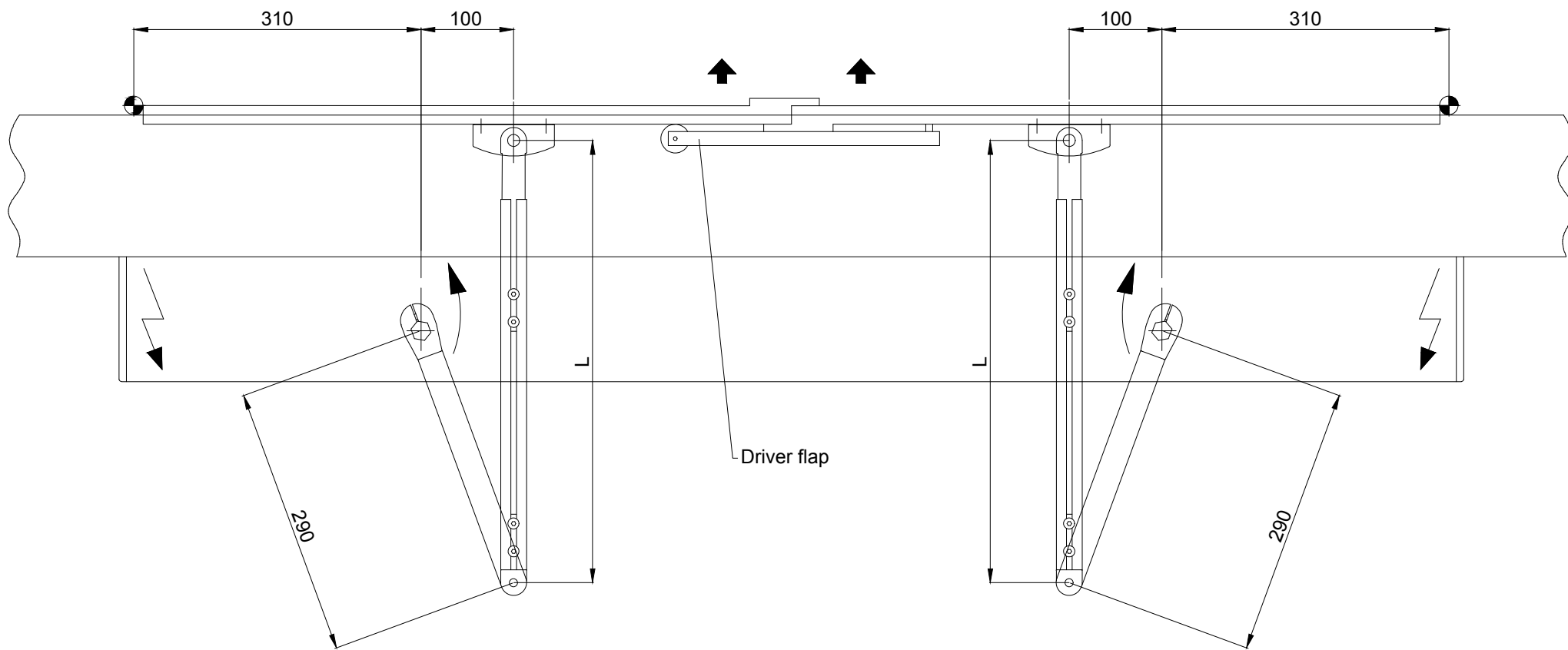
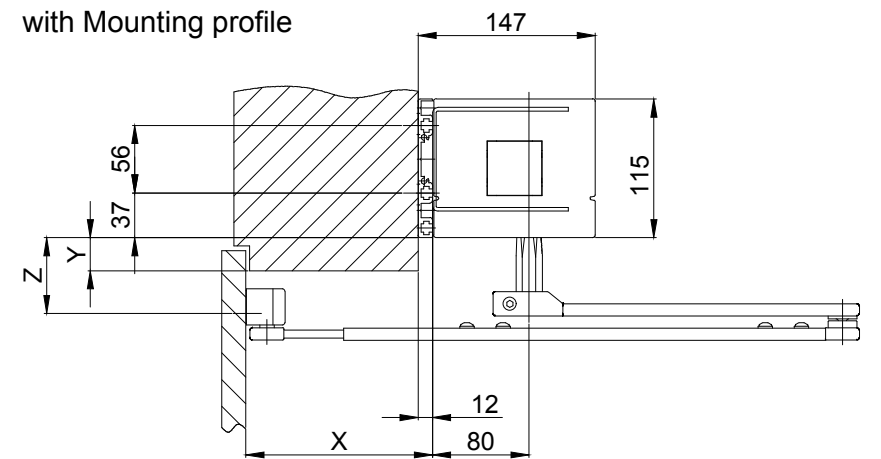



with Mounting profile



X	-40...+100	+100...+240
L	L=291-436	L=436-581

Y	0-14	0-55
Z	37	78
	82	123

Object:			
Customer:			
Order-Nr.:	Date:	Releasesignatur:	
		Scale	Drawn
		%	07.10.2021 MURO
Operatorotyp :		Execution:	
iMotion 1301 standard linkage 290mm/MDC			
Document-Nr.:		Index	
TORMAX TORMAX a Division of LANDERT Group AG CH-8180 Bülach-Zürich		T3-386-62	D