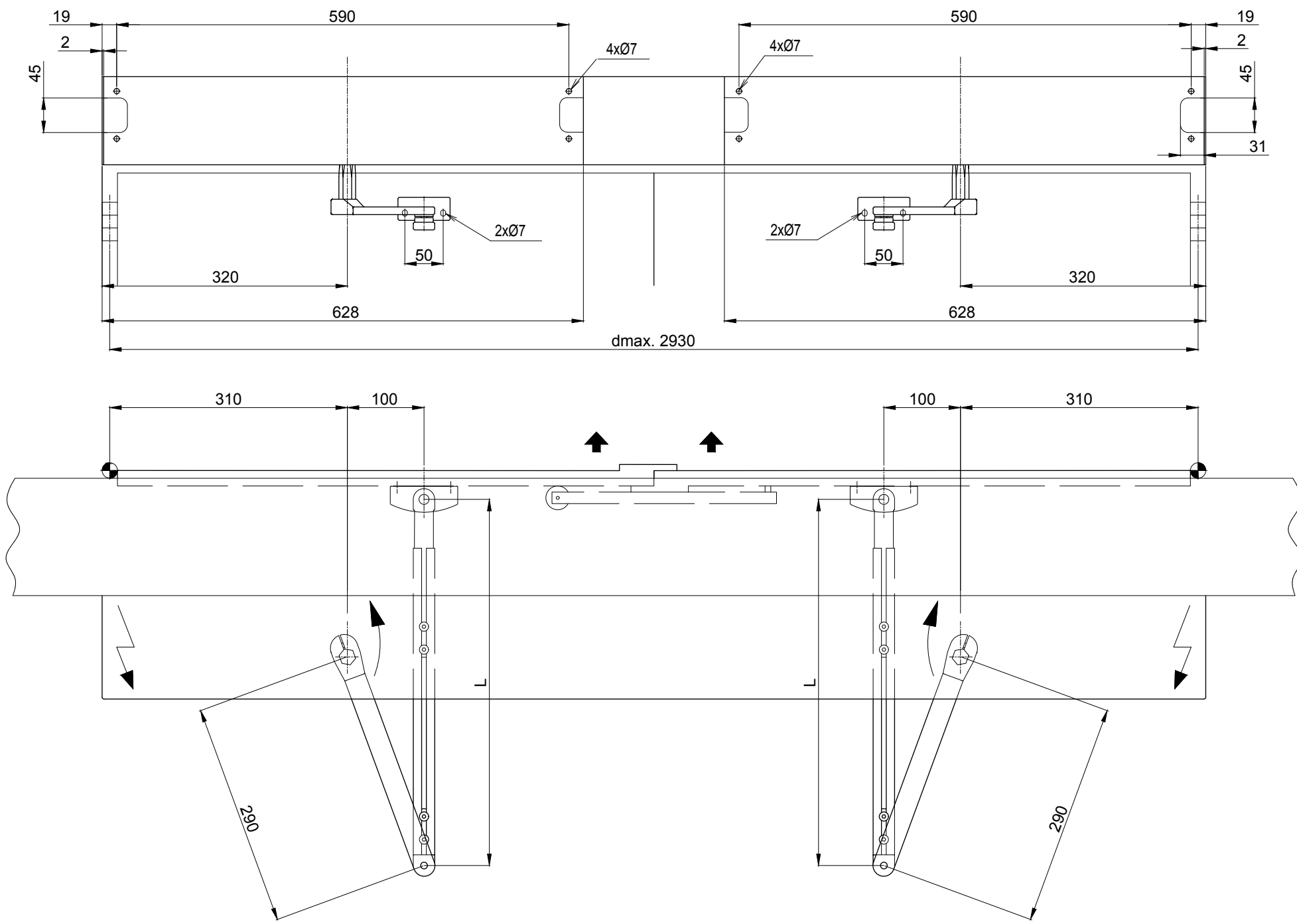


X	-40..+100	+100..+240
	L=291-436	L=436-581

Y	0-14	0-55
Z	37	78
	82	123



Object: _____
 Customer: _____
 Order-Nr.: _____ Date: _____ Releasesignatur: _____
 Scale: _____ Drawn: 18.09.12 RBH
 % ok to print _____
 Operatortyp: _____ Execution: _____
 iMotion 1301 standard linkage 290mm/MDC
 TORMAX AUTOMATIC TORMAX is a division and a registered trademark of Landest Motoren AG, CH-8180 Bülach-Zürich Document-Nr.: T3-386-62 Index B