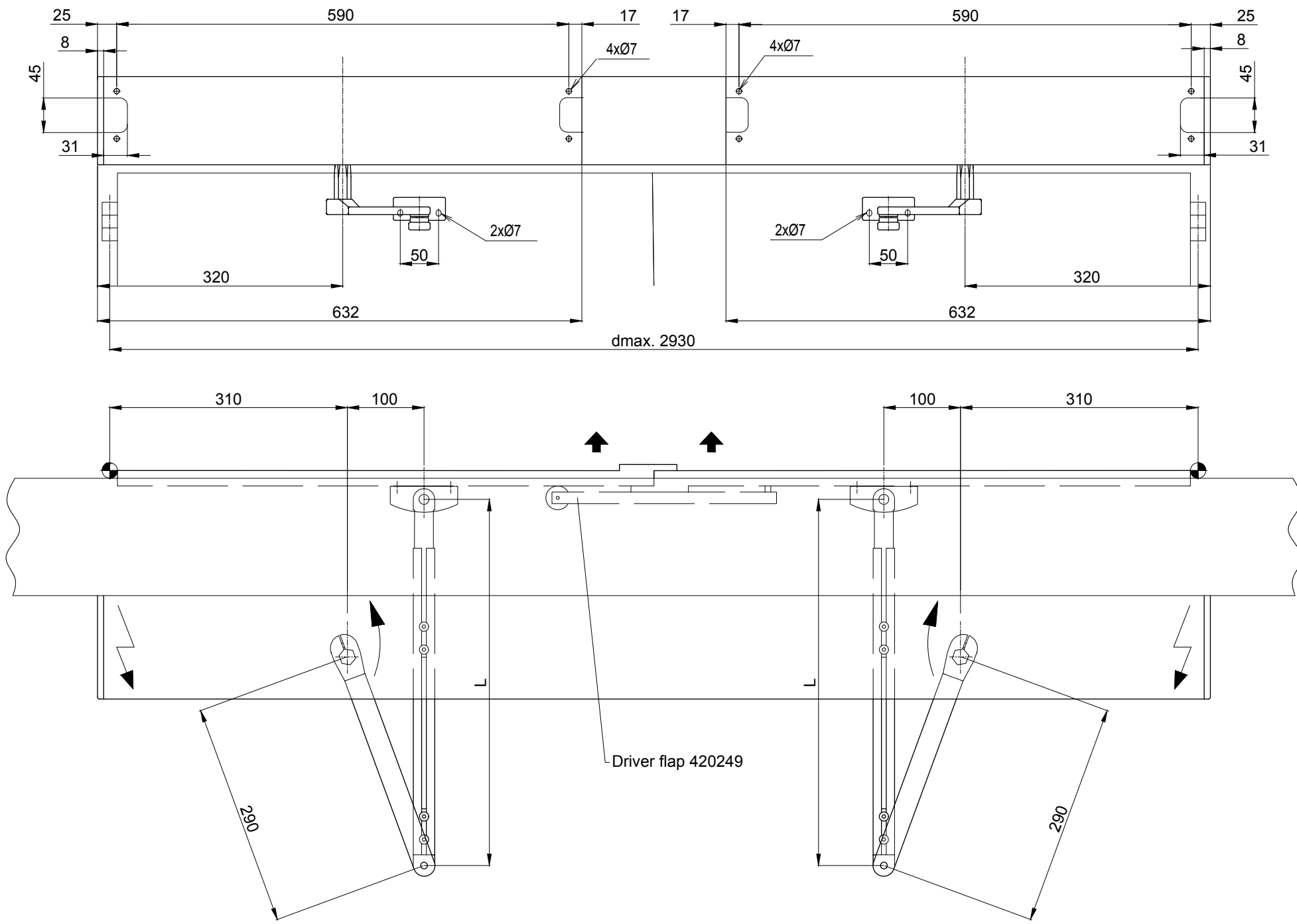


| | | |
|---|-----------|------------|
| X | -40..+100 | +100..+240 |
| | L=291-436 | L=436-581 |

| | | |
|---|------|------|
| Y | 0-14 | 0-55 |
| Z | 37 | 78 |
| | 82 | 123 |



| | | | | |
|--|-------------|----------|---------------|------------------|
| Object: | | | | |
| Customer: | | | | |
| Order-Nr.: | | Date: | | Releasesignatur: |
| Scale | Drawn | 27.02.18 | REFL | |
| % | ok to print | | | |
| Operatortyp : Execution: | | | | |
| iMotion 1301 standard linkage 290mm/MDC | | | | |
| TORMAX is a division and a registered trademark of Landolt Motoren AG, CH-8180 Bülach-Zürich | | | Document-Nr.: | Index |
| | | | T3-386-62 | C |