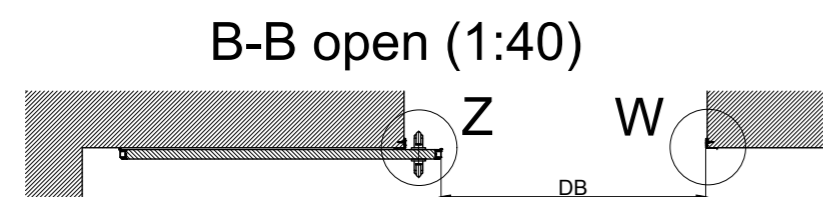
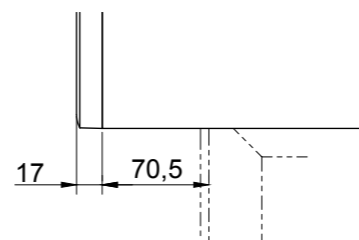


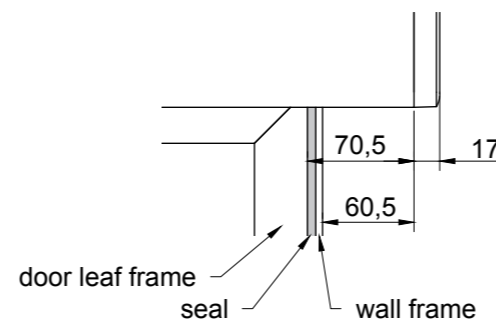
max. unevenness floor 1mm/m
 max. deviation floor horizontal 1mm/m
 and 2.5mm/entire doorpath



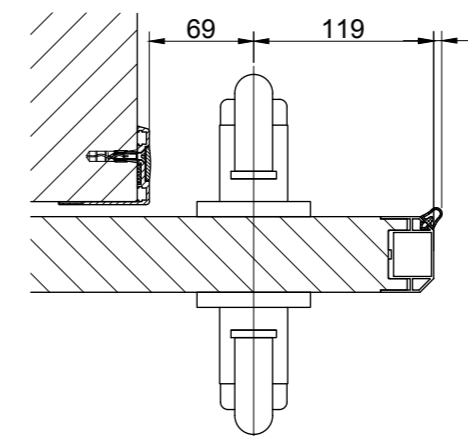
Detail X (1:5)



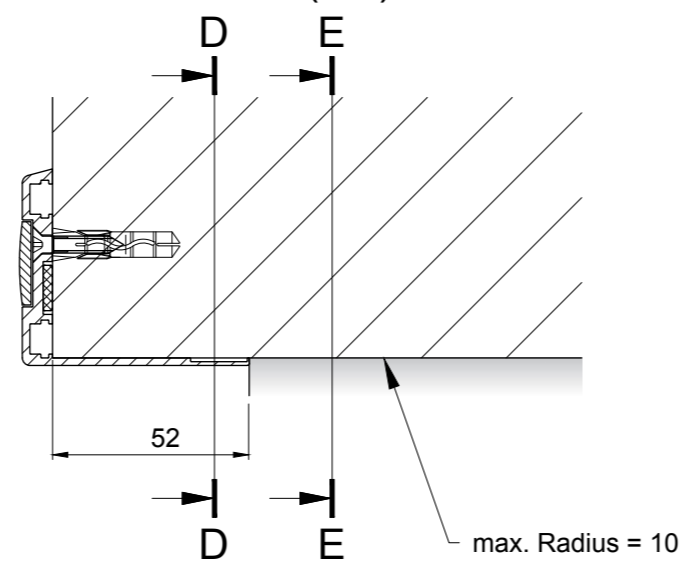
Detail Y (1:5)



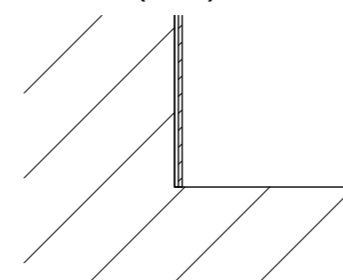
Detail Z (1:5)



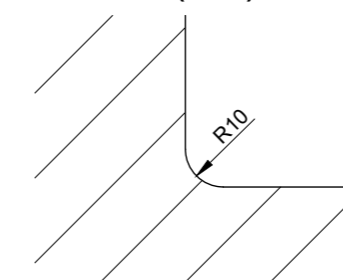
Detail W (1:2)



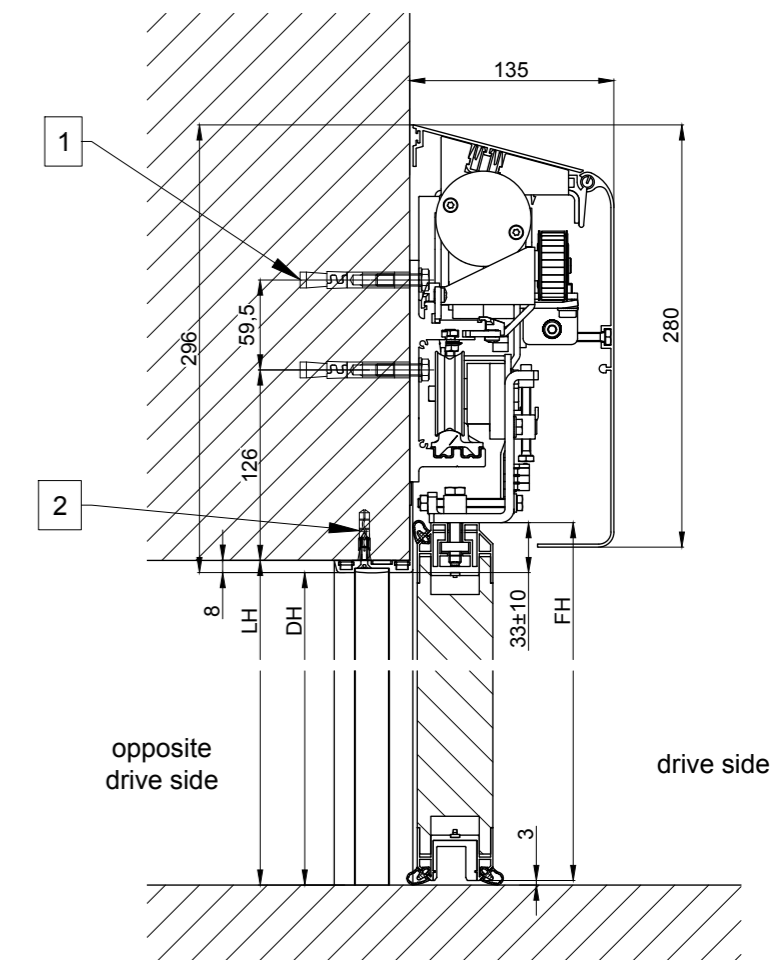
D-D(1:2)



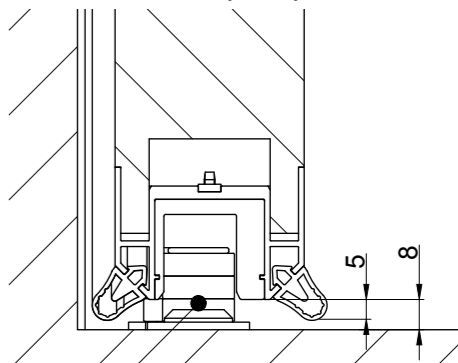
E-E(1:2)



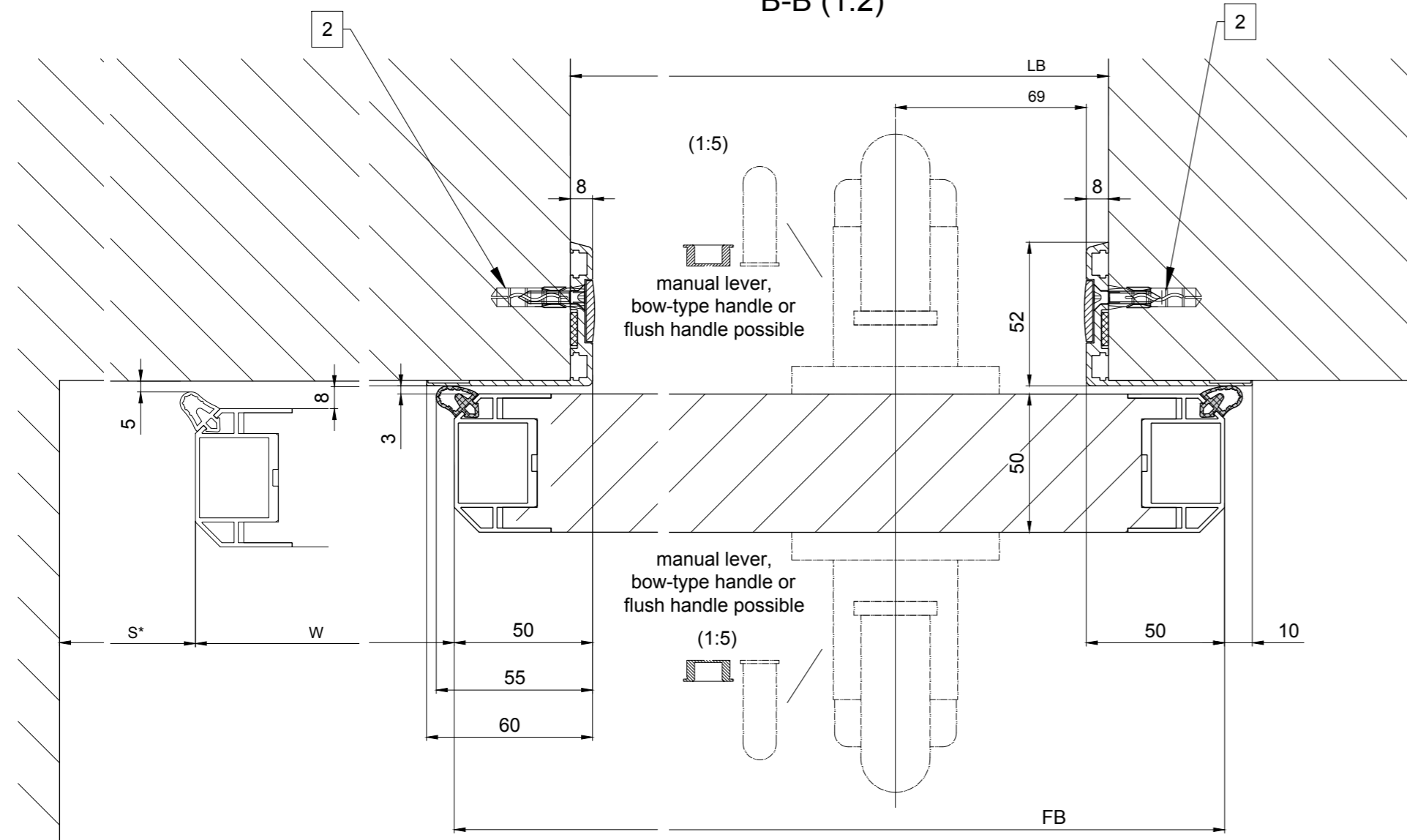
A-A (1:5)



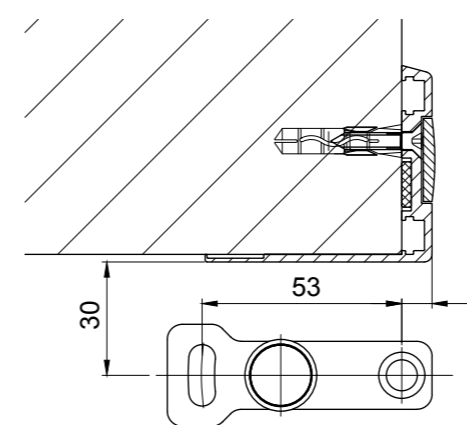
C-C (1:2)



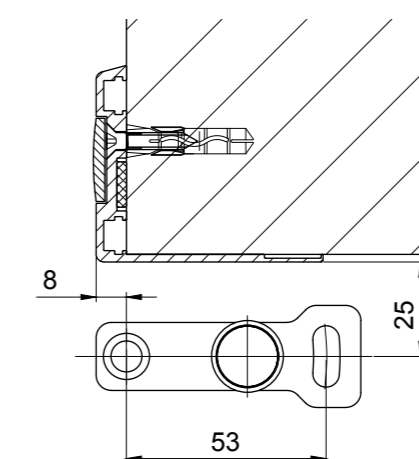
B-B (1:2)



Floor guide (main closing edge)



Floor guide (secondary closing edge)



- Preconditions for underground**
- Reinforced concrete, wall thickness min. 100mm, quality min. C12/15 (B15)
 - Masonry, wall thickness min. 115mm, DFK ≥ 12, min. MG II / DM
 - Aerated concrete, wall thickness min. 170mm, DFK ≥ 4, glued

Fastenings		
Position	Description	Distance between fastenings
1	High performance anchor HL-S (SZ-S)	600mm
	ISO 7089-6-200 HV-A4	
	ISO 4017 M8x30-8.8	
2	DIN 7997 4.5x24	300mm
	Expansion anchor S6	

W	opening width	Door systems with fittings (Handle variations) on the opposite drive side
LB	wall opening width	
LH	wall opening height	
DB	clear opening width	
DH	clear opening height	
FB	door leaf width	The door leaves must be made from material which do not bear any potential risk of injury in any case of breakage for example single sheet toughened safety glass, compound safety glass etc.). Transparent door leaves must be clearly labelled to be recognised as such.
FH	door leaf height	
LKmin	Headerprofil min. length	
LVmin	Cladding min. length	
W = DB+55		Anodize/color layer thickness: _____ Additional info: _____
LB = DB+188+16+5		Object: _____
LH = DB+8		Customer: _____
DB = LB-188-16-5		
DH = LH-8		
LKmin = DBx2+296+193		Order-Nr.: _____ Date: _____ Release/signatur: _____
LVmin = LKmin		Scale Drawn 27.09.18 REFL % ok to print
FB = DB+(2x50)+188+5		Operator/typ: Profilsystem Execution
FH = DH+30		2353.HERM / 2453.HERM EL
		Document number: T3_390_647 Index E