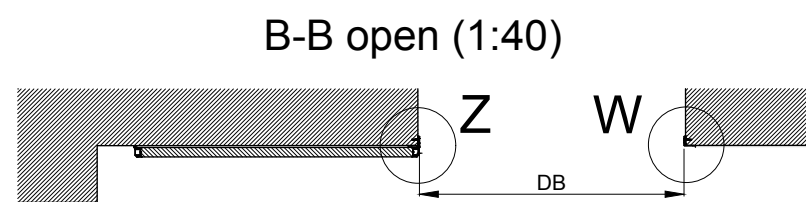
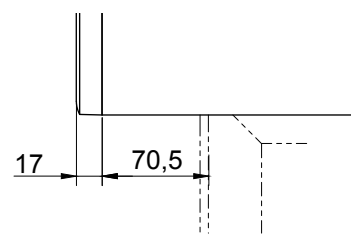


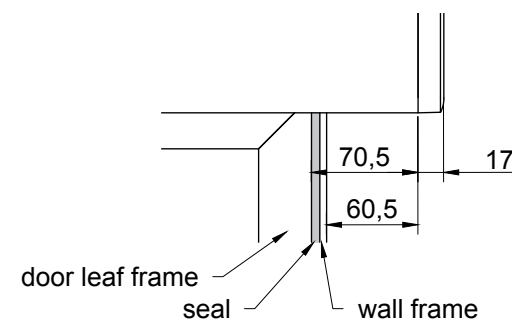
max. uneveness floor 1mm/m  
max. deviation floor horizontal 1mm/m  
and 2.5mm/entire doorpath



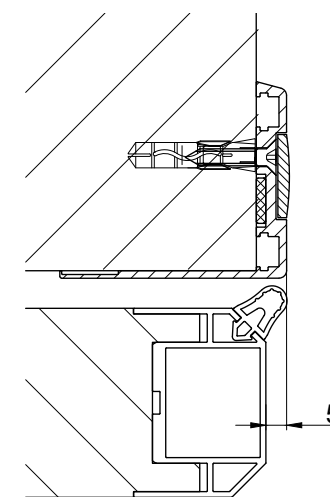
Detail X (1:5)



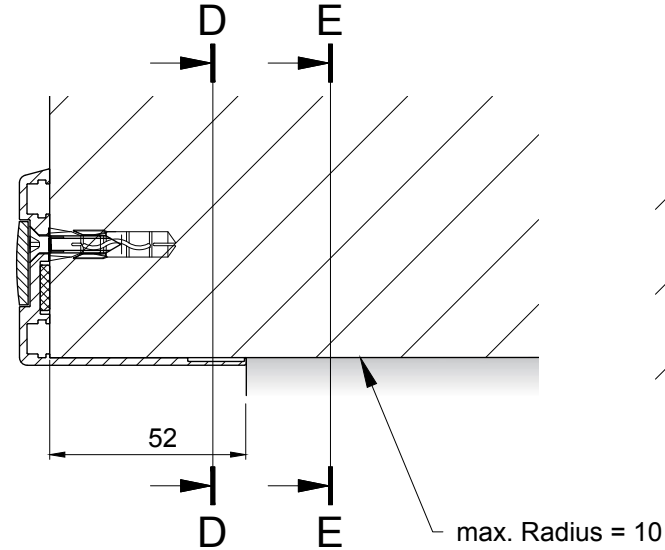
Detail Y (1:5)



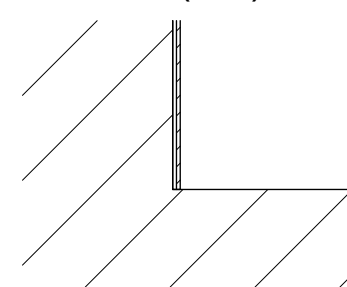
Detail Z (1:2)



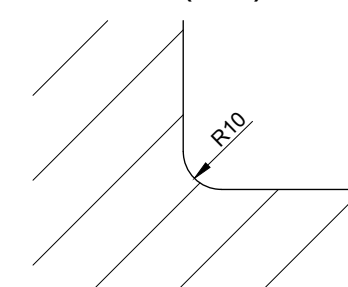
Detail W (1:2)



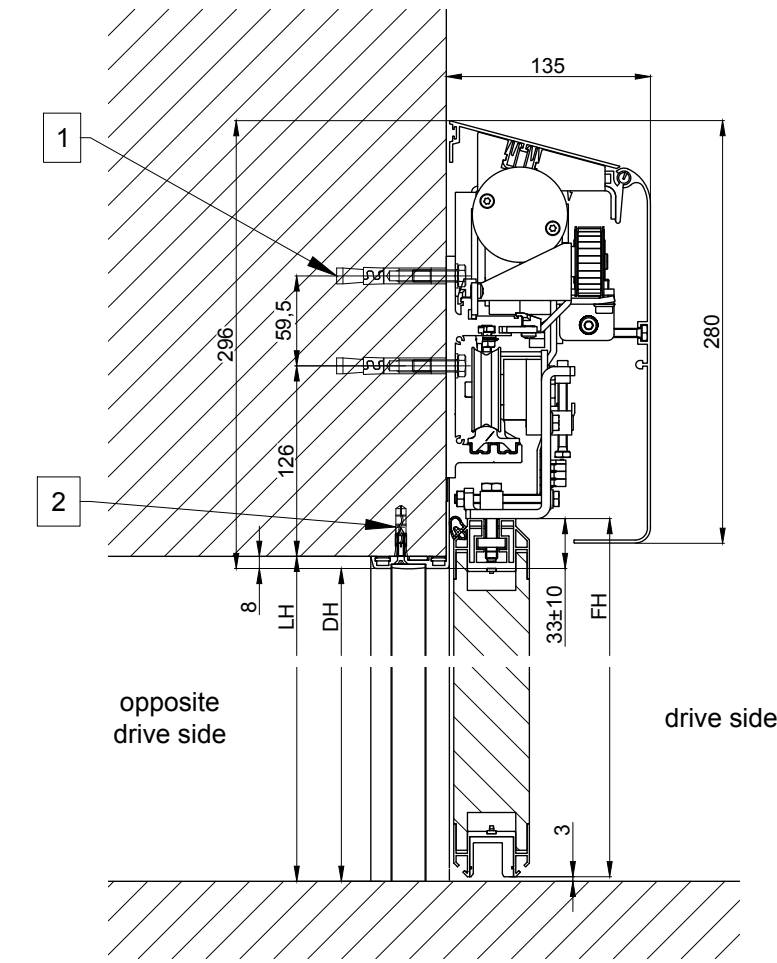
D-D (1:2)



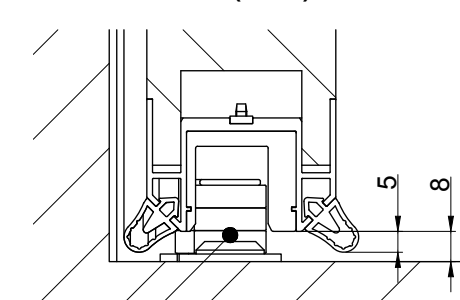
E-E (1:2)



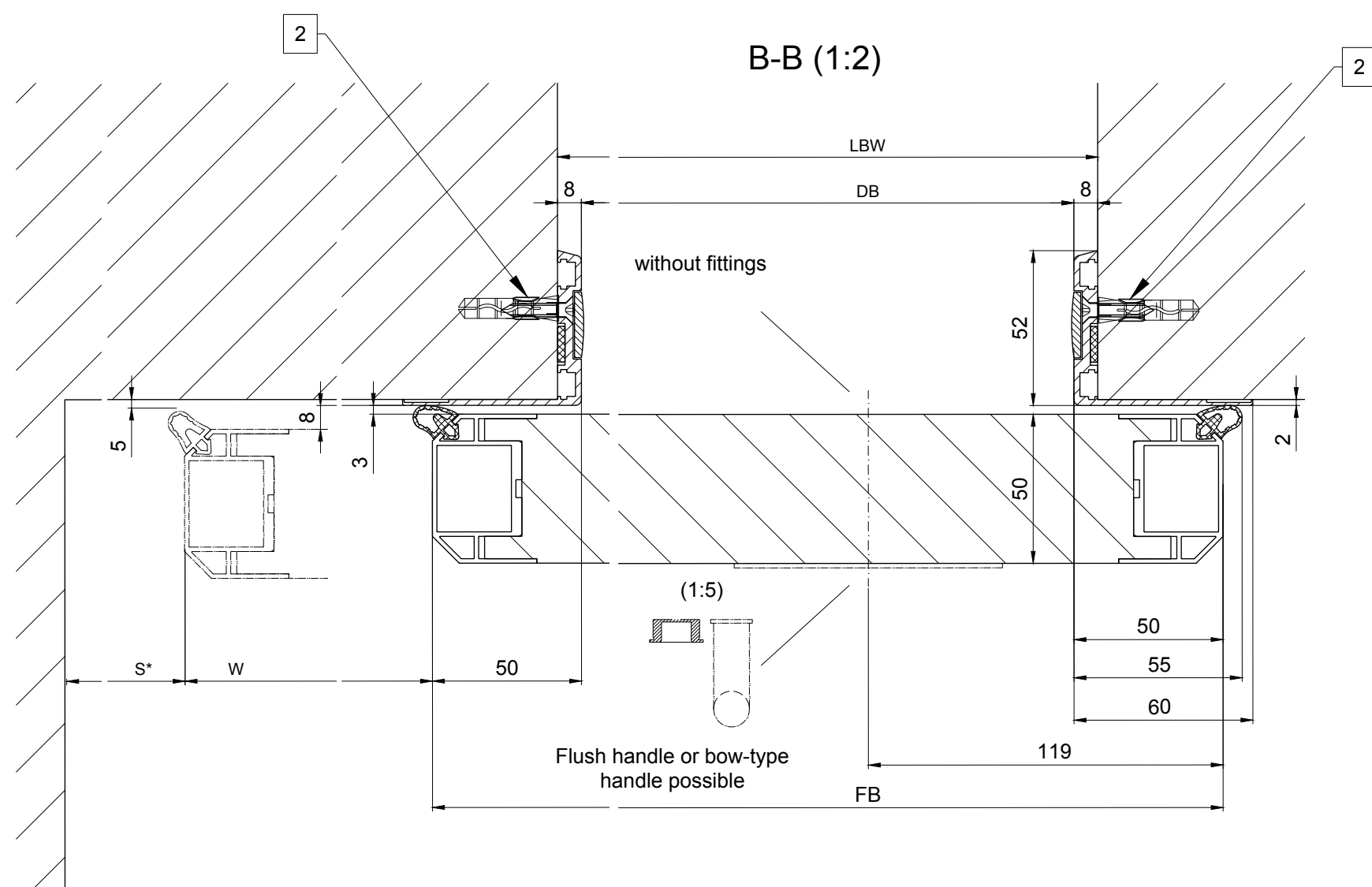
A-A (1:5)



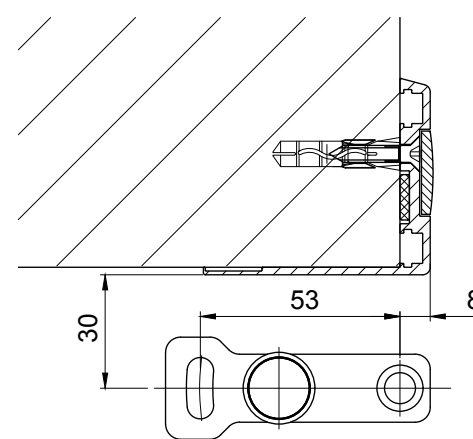
C-C (1:2)



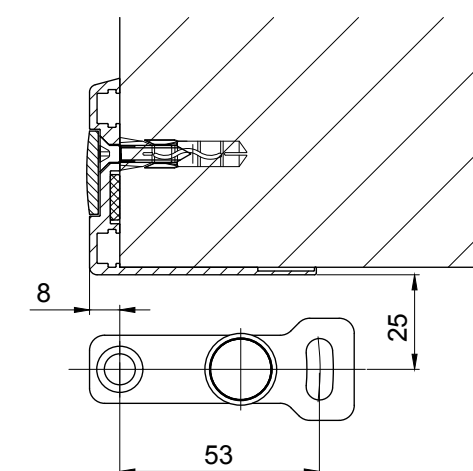
B-B (1:2)



Floor guide (main closing edge)



Floor guide (secondary closing edge)



**Preconditions for underground**

- Reinforced concrete, wall thickness min. 100mm, quality min. C12/15 (B15)
- Masonry, wall thickness min. 115mm, DFK ≥ 12, min. MG II / DM
- Aerated concrete, wall thickness min. 170mm, DFK ≥ 4, glued

Fastenings		
Position	Description	Distance between fastenings
1	High performance anchor HL-S (SZ-S)	600mm
	ISO 7089-6-200 HV-A4 ISO 4017 M8x30-8.8	
2	DIN 7997 4.5x24 Expansion anchor S6	300mm

W	opening width	<b>Doorsystems without fittings (Handle variations) on the opposite drive side</b> The door leaves must be made from material which do not bear any potential risk of injury in any case of breakage (for example single sheet toughened safety glass, compound safety glass etc.). Transparent door leaves must be clearly labelled to be recognised as such. * Safety margin according to national regulation
LB	wall opening width	
LH	wall opening height	
DB	clear opening width	
DH	clear opening height	
FH	door leaf height	
FB	door leaf width	
LKmin	Headerprofil min. length	
LVmin	Cladding min. length	
Anodize/color layer thickness: _____ Additional info: _____		
DB = LB-16		
DH = LH-8		
LKmin = DBx2 + 296		
LVmin = LKmin		
FB = DB + (2x50)		
FH = DH + 30		
Object: _____		
Customer: _____		
Order-Nr.: _____ Date: _____ Release signatur: _____		
Operator: Profisystem Execution		
2353.HERM / 2453.HERM EL		
Scale Drawn 27.09.16 REF. %		
TORMAX TORMAX is a division and a registered trademark of Landert Motoren AG, CH-8180 Bülach-Zürich		
Document number: T3_390_645		
Index		