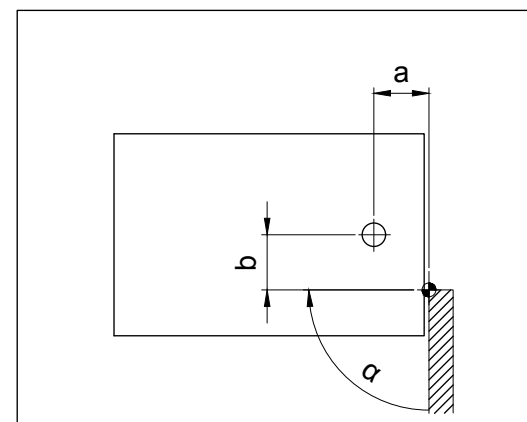
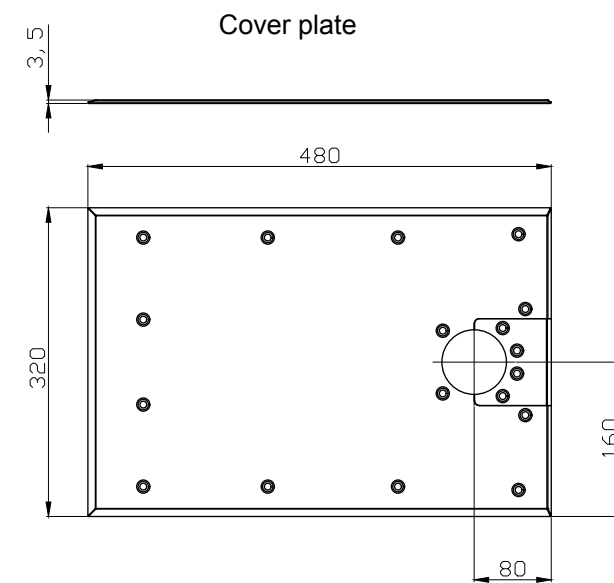


Cover/Protection of squeezing positions on site if gap is between 8 and 25mm



a	b	Door opening angle α
80	60	max. 95°
80	80	max. 97°
80	160	max. 105°
16	80	max. 105°

*



- * - situation shown on plan
- * - approval for fire protection
- door pivot
- finished floor
- drainage
- possible electrical connection

Object:			
Customer:			
Order-Nr.:	Date:	Releasesignatur:	
	Scale	Drawn	12.02.19
	%	ok to print	REFL
Operatortyp :		Execution:	
iMotion 1401 with roller arm, pull type			
		TORMAX is a division and a registered trademark of Landert Group AG, CH-8180 Bülach-Zürich	Document-Nr.: T4-386-49
			Index B