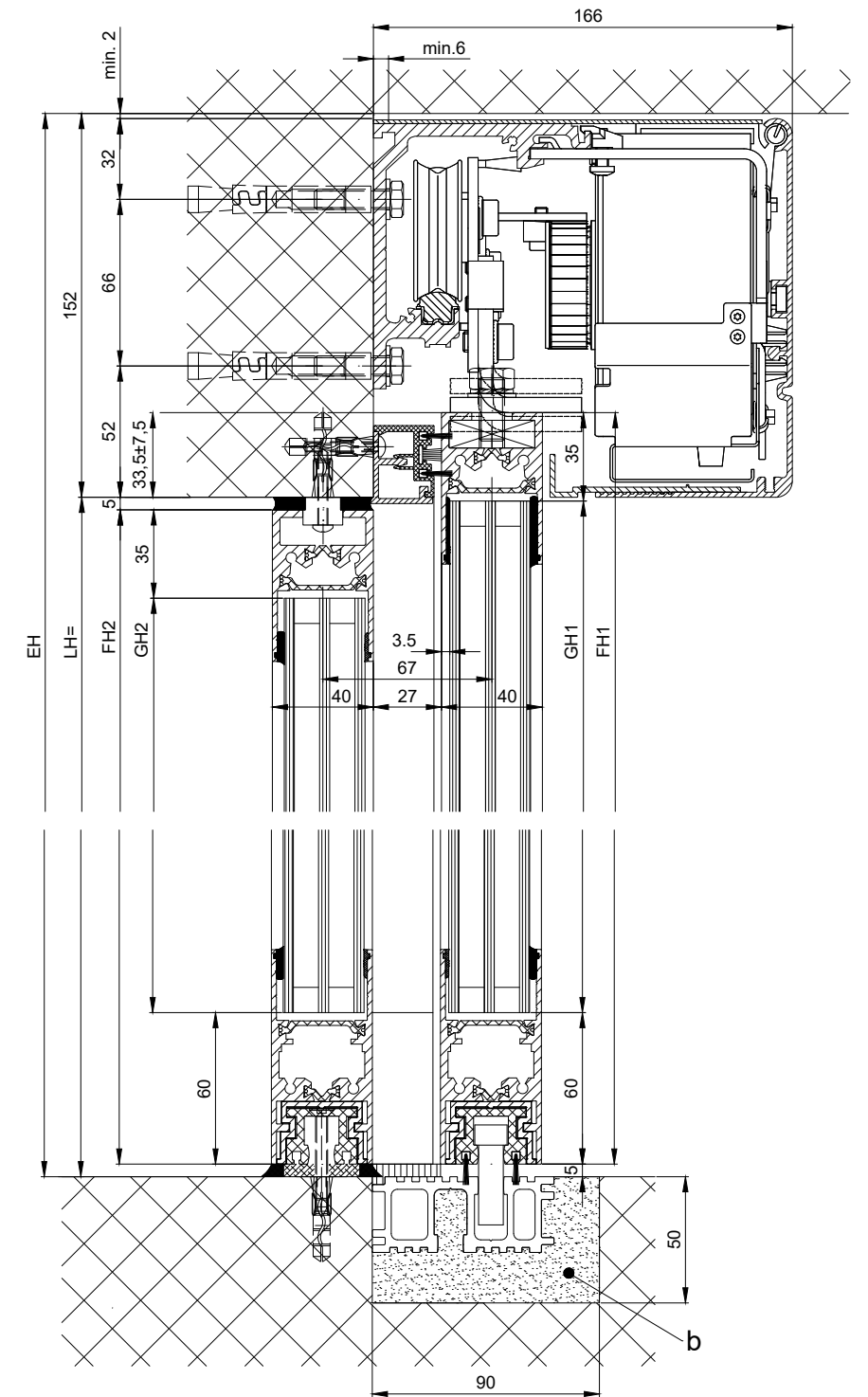
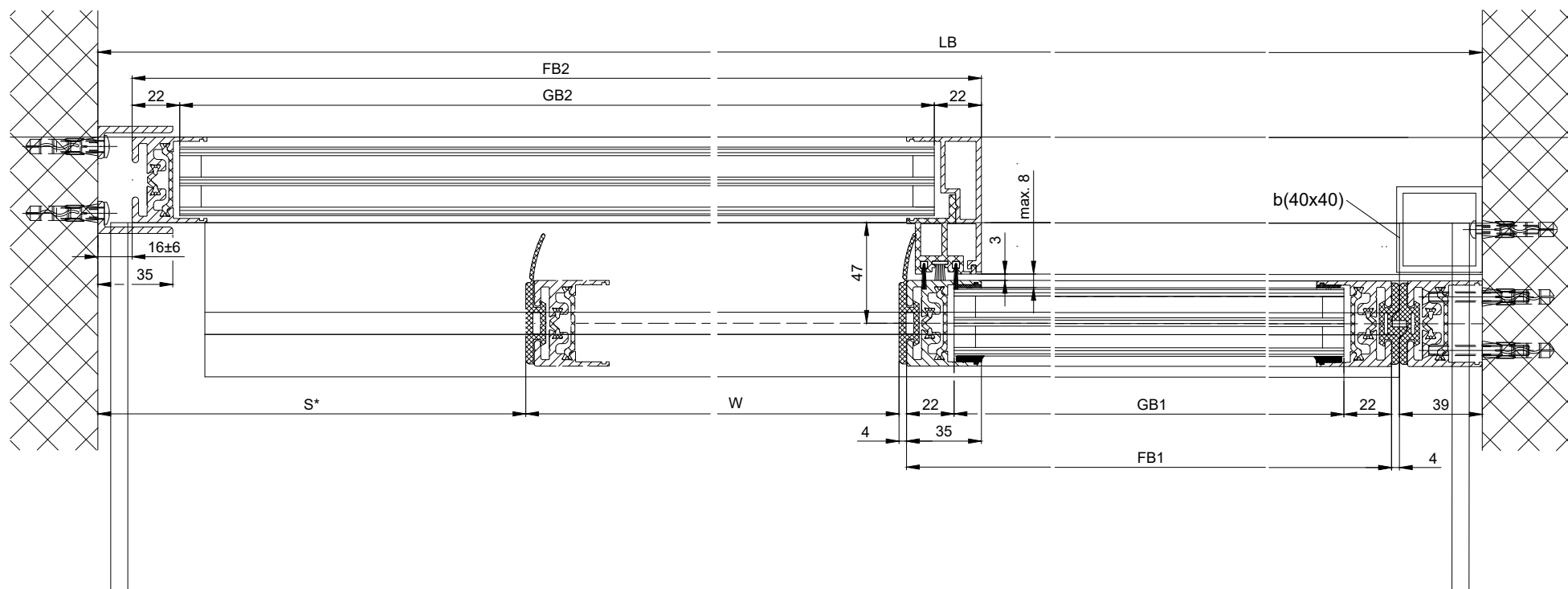
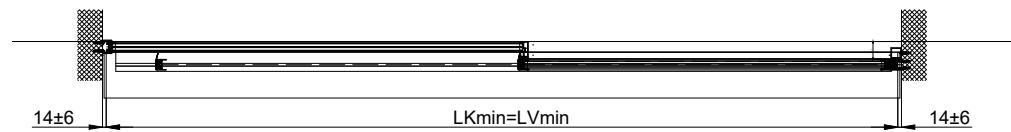
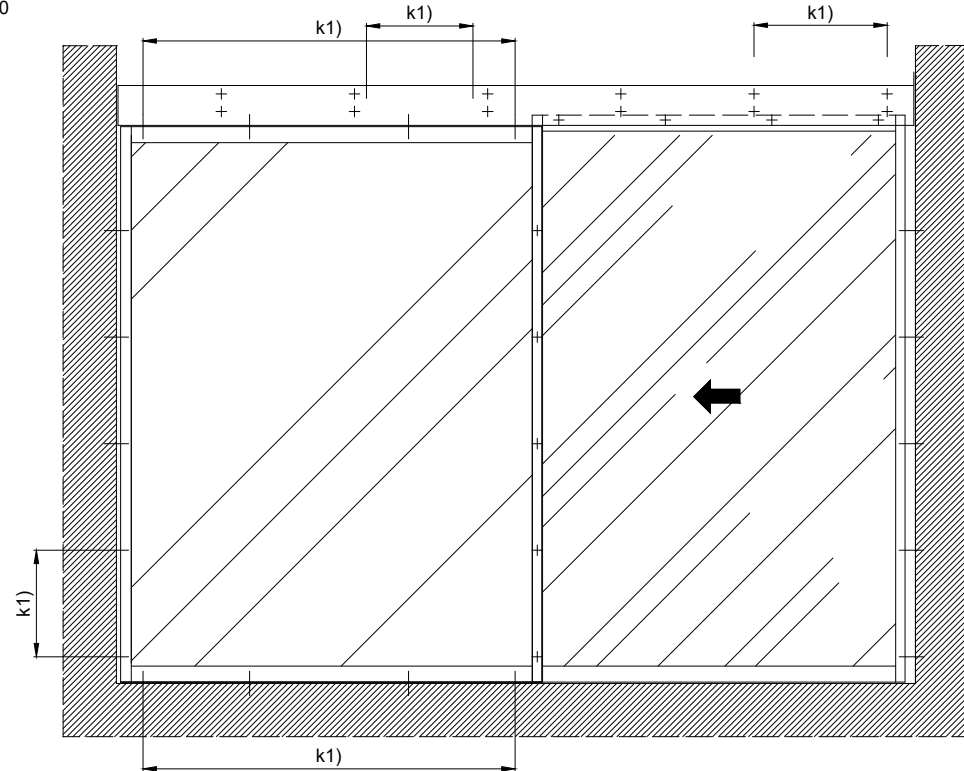


1:20



b) By others

k1) Select the distance/type and number of fasteners according to the building structure and required load-bearing capacity.

For variants see supplementary sheets

The door leaves must be made from material which do not bear any potential risk of injury in any case of breakage (for example single sheet toughened safety glass, compound safety glass etc.). Transparent door leaves must be clearly labelled to be recognised as such.

* Safety margin according to national regulation

** Light barriers according to national regulation

Anodize/color: layer thickness: Additional info:
RAL :

Object:

Customer:

Order-Nr.: Date: Releasesignatur:

LB=2W+S+78
W=(LB1-S-78)/2
LVmin=LB-28
LKmin=LVmin
FB1=W+31
FB2=W+s+23
GB1=FB1-44
GB2=FB2-44
FH1=LH+28.5
FH2=LH-10
GH1=FH1-95
GH2=FH2-95

Operator type: Profilsystem Execution	Scale %	Drawn ok to print	15.01.18	REFL
---------------------------------------	---------	-------------------	----------	------

iMotion 2302 EL-LR32THERM with fixed panel

TORMAX AUTOMATIC
TORMAX is a division and a registered trademark of Landert Motoren AG, CH-8180 Bülach-Zürich

Document number: T3_390_715

Index A