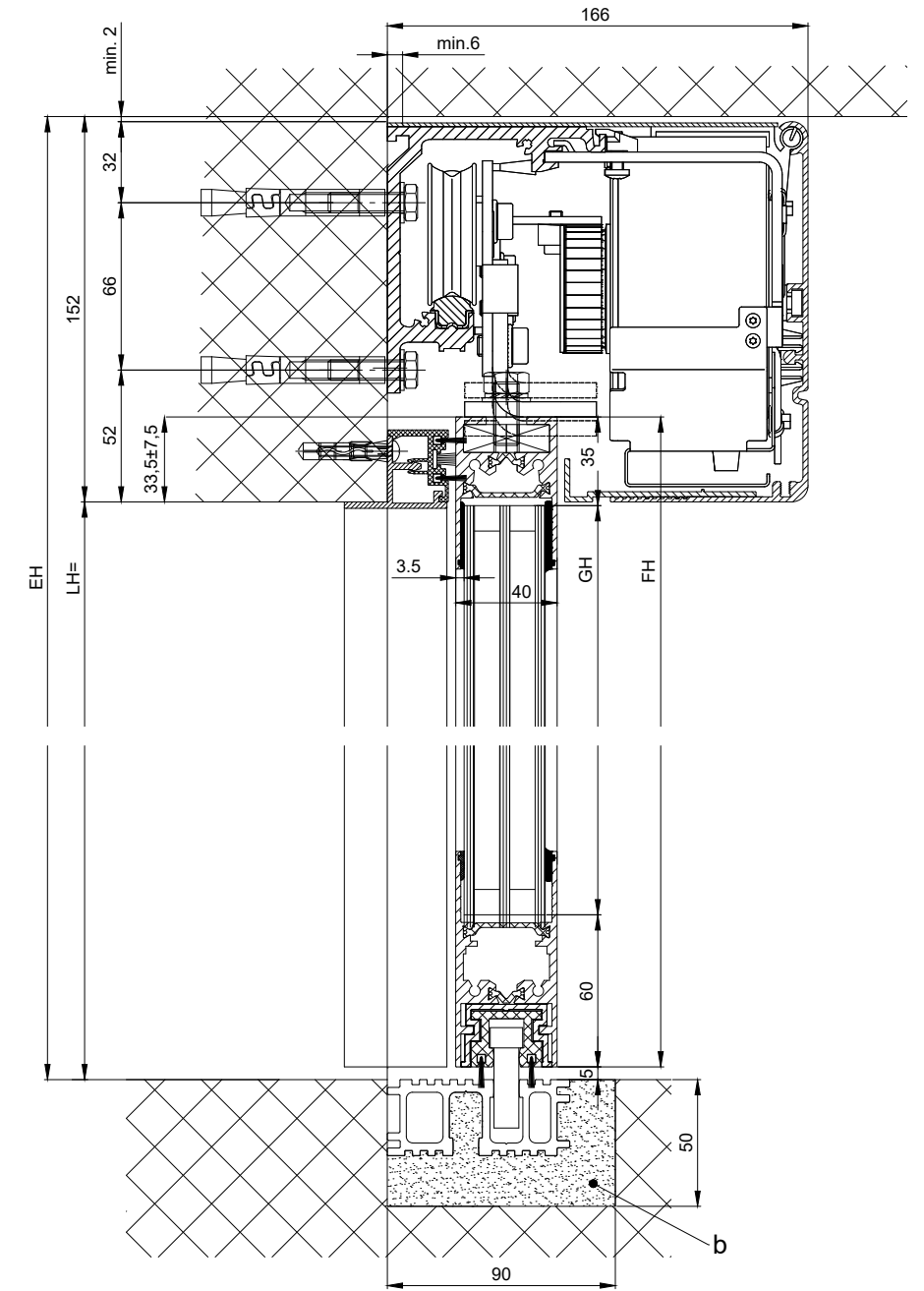
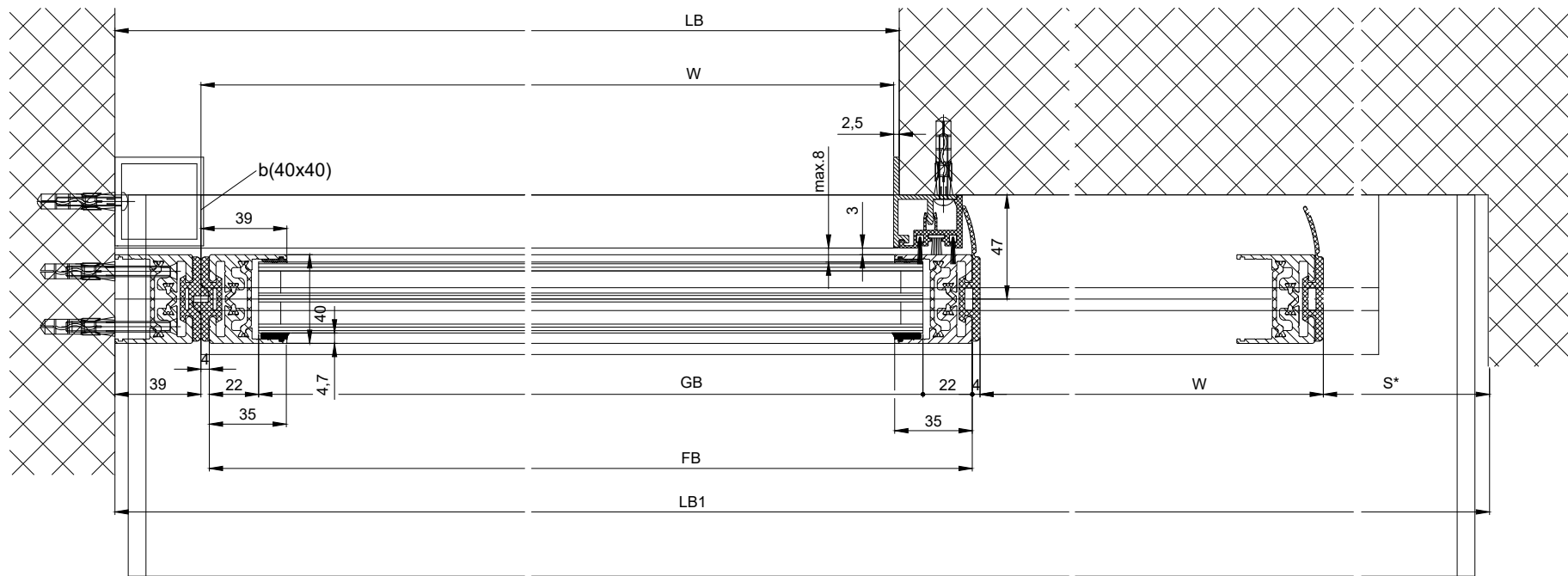
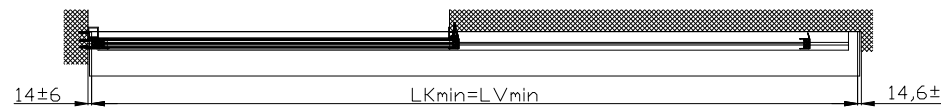
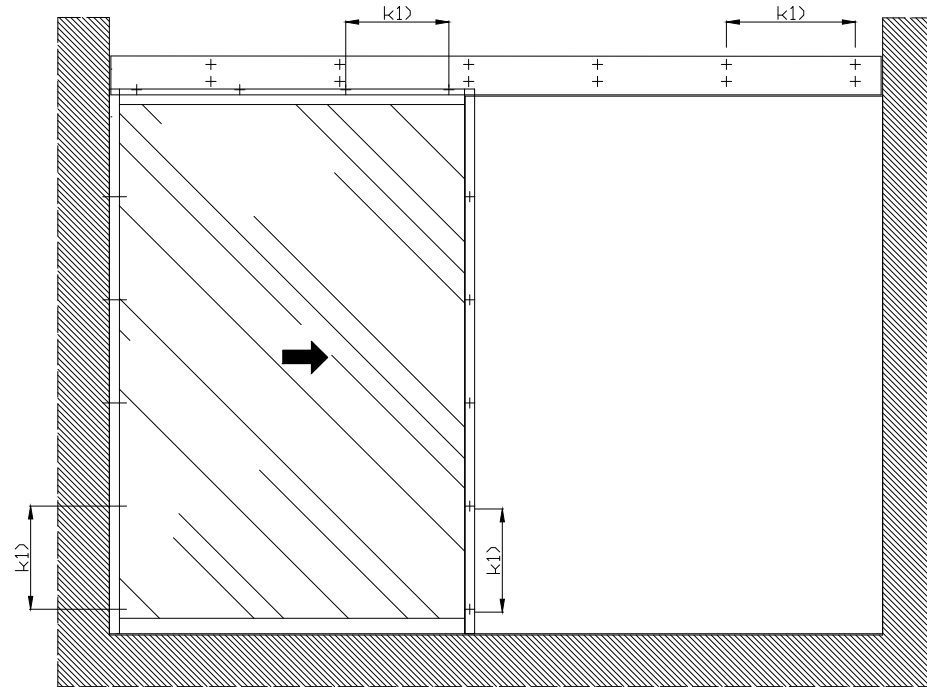


1:20



b) By others

k1) Select the distance/type and number of fasteners according to the building structure and required load-bearing capacity.

For variants see supplementary sheets

The door leaves must be made from material which do not bear any potential risk of injury in any case of breakage (for example single sheet toughened safety glass, compound safety glass etc.). Transparent door leaves must be clearly labelled to be recognised as such.

* Safety margin according to national regulation

** Light barriers according to national regulation

Anodize/color: layer thickness: Additional info:
RAL :

Object:

Customer:

Order-Nr.: Date: Release signatur:

Scale Drawn 15.01.17 REFL
% ok to print . . .

Operator typ: Profilsystem Execution
iMotion 2302-ER LR32THERM without fixed panel

TORMAX is a division and a registered trademark of Landet Motoren AG, CH-8180 Bülach-Zürich
Document number.: T3_390_713 Index A

$LB1=2W+S+78$

$LB=W+41.5$

$W=(LB1-S-78)/2$

$LVmin=LB1-28$

$LKmin=LVmin$

$FB=W+31$

$GB=FB-44$

$FH=LH+26.5$

$GH=FH-95$